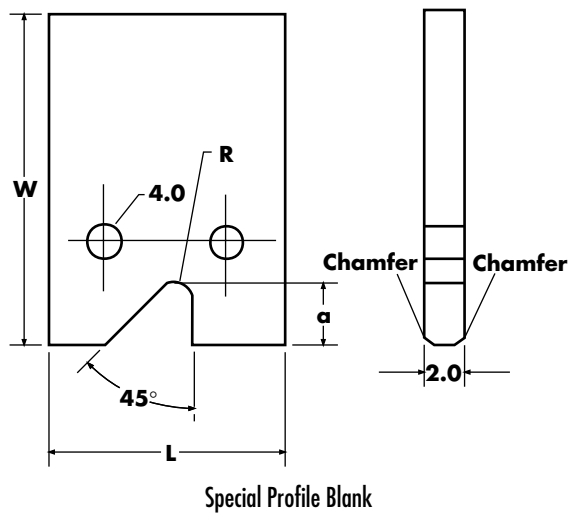
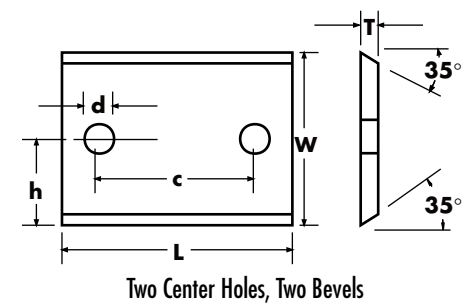
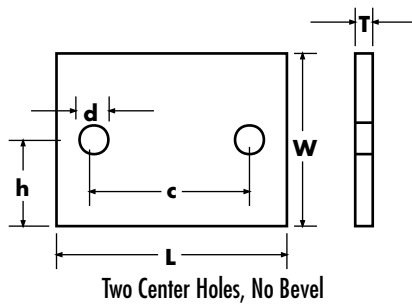
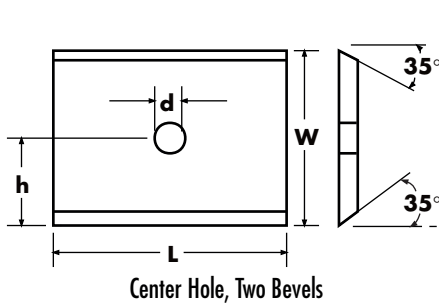
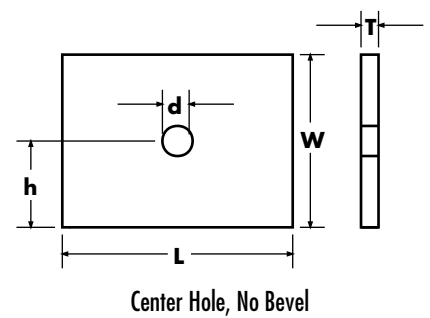
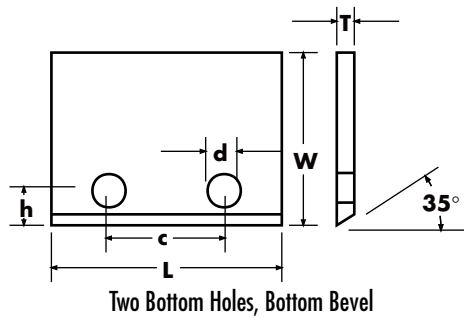
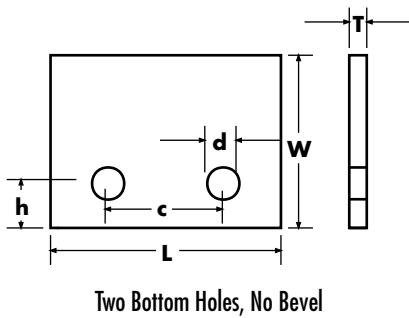
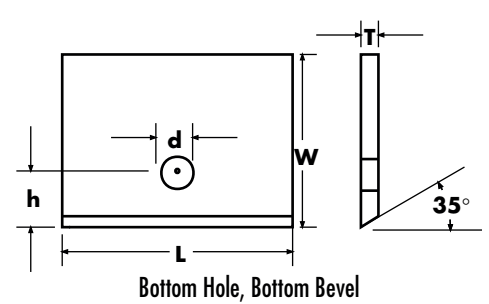
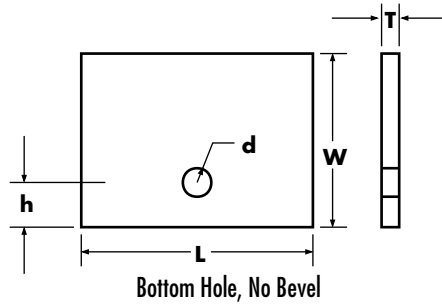
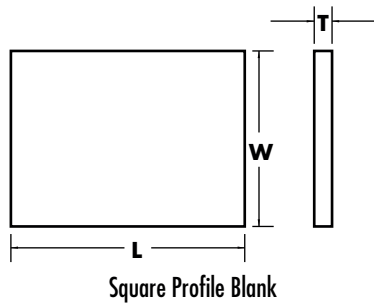


for Insert Tooling



The above styles are available in Eagloy and stocked in standard carbide sizes. Other sizes available on request.



WARNING
See warning on last page of this catalog.

For international calls:
704-878-9583

P.O. Box 5639 Statesville, NC 28687
fax: 800/683-8810 or 704/878-9585
web: www.eagle-carbide.com